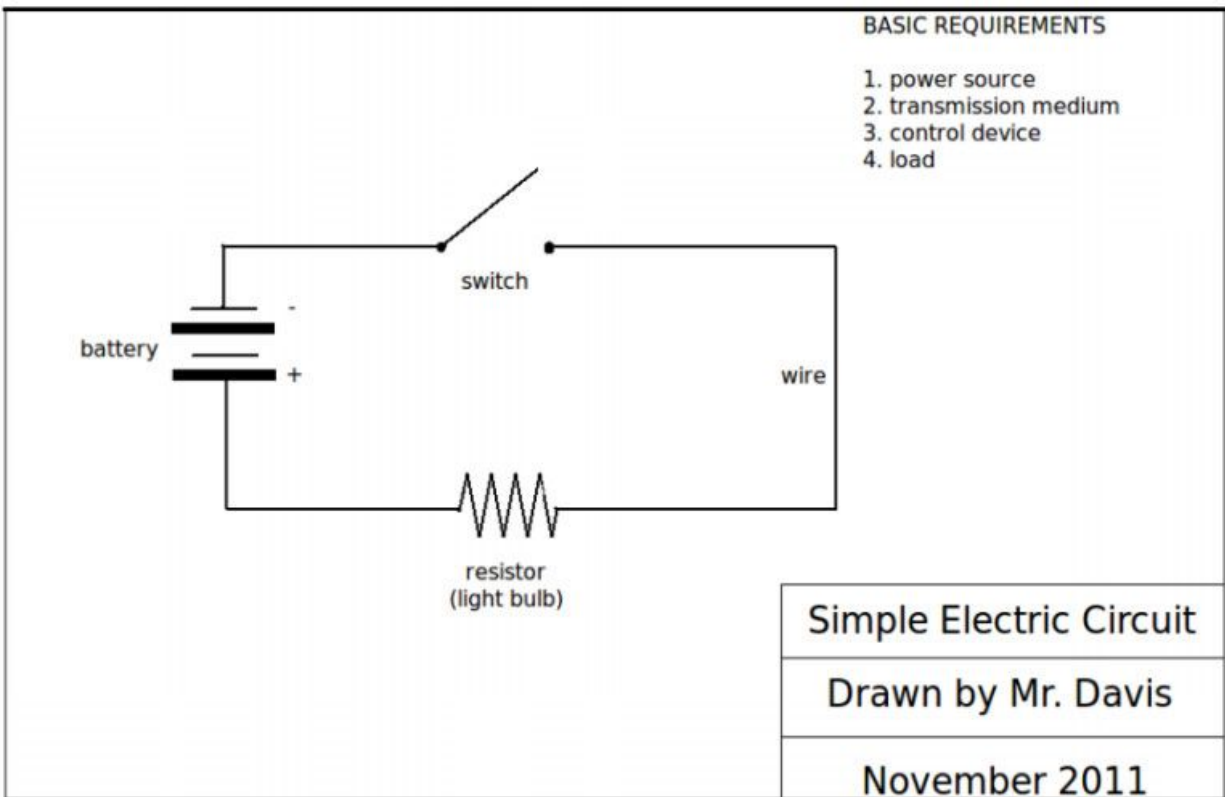


## Unit 1, Topic 3 – Electronic Control Systems

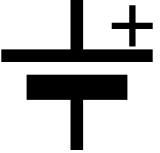
1. Create another new Docs inside Control 8 (Unit 1, Topic 1 to 7). Rename it: “Unit 1, Topic 3 - Electronics”
2. Use the same heading as the one above. Remember to type: Web Page Created by [INSERT YOUR NAME HERE] under your heading in italics.
3. Draw the following diagram in Microsoft Paint and insert it into your web page: [6 marks]



4. Write a short paragraph that explains how this electric switch works. Use the labels from the diagram. [5 marks]

[KEEP SCROLLING DOWN]

5. Complete the following table: [12 marks]

ELECTRONIC COMPONENT	DESCRIPTION	SYMBOL
battery	One or more electrochemical cells that convert stored chemical energy into electrical energy	
resistor	[2marks]	[1 mark]
capacitor	[2marks]	[1 mark]
switch	[2 mark]	[1 mark]
transistor	[2 mark]	[1 mark]

TOTAL: 23 MARKS